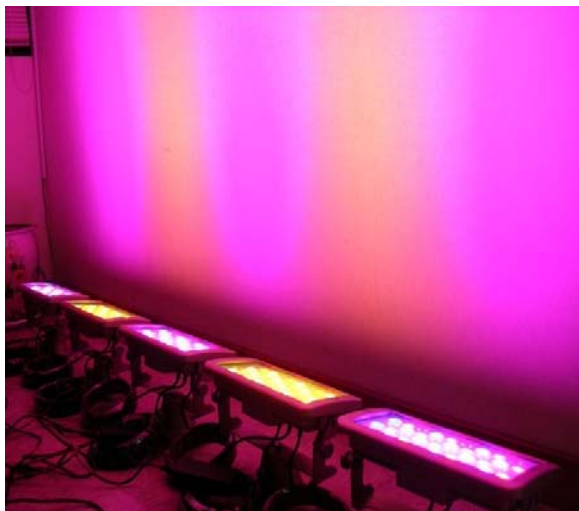
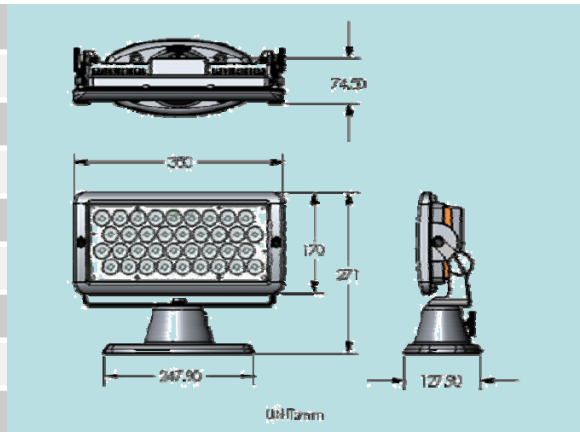


Item	Angle°	Illumination (5M)	Controlled
AOL-LC-DMX10FV1	10°	187Lux	DMX
AOL-LC-I2C10FV1	10°	187Lux	IIC
AOL-LC-DMX30FV1	30°	73Lux	DMX
AOL-LC-I2C30FV1	30°	73Lux	IIC
AOL-LC-DMX45FV1	45°	47.5Lux	DMX
AOL-LC-I2C45FV1	45°	47.5Lux	IIC
AOL-LC-DMX1530FV1	15° * 30°	120Lux	DMX
AOL-LC-I2C1530FV1	15° * 30°	120Lux	IIC



### Features

- Rich color-changing
- Low energy consumption / 55 watts
- DMX controlled
- IIC controlled
- Variety of different view angles
- IP68 environmental construction
- Operating temperature -40°C ~65 °C (not include adapter)
- Storage temperature -40°C ~85 °C
- Input voltage DC 24V
- Current consumption 2.3A
- Luxeon high power LED

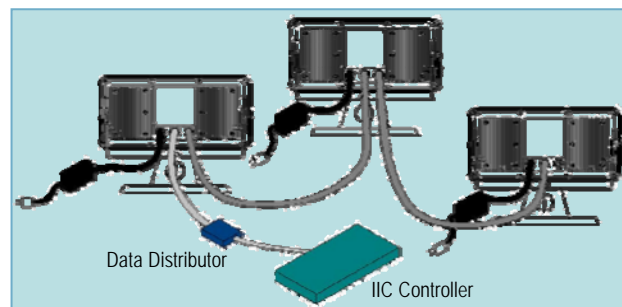
### Supportive

- IIC controller with Data Distributor
- DMX controller with ID Launcher

### Communication

- DMX control
  - Channel 1 Red
  - Channel 2 Green
  - Channel 3 Blue
  - Channel 4 Brightness
  - Channel 513 Self-test
- IIC control
  - The maximum number of connections for the ColorBeacon is 10,000 units.

The amount of connections for the ColorBeacon can be adjusted to suit on the DMX controller.



### Applications

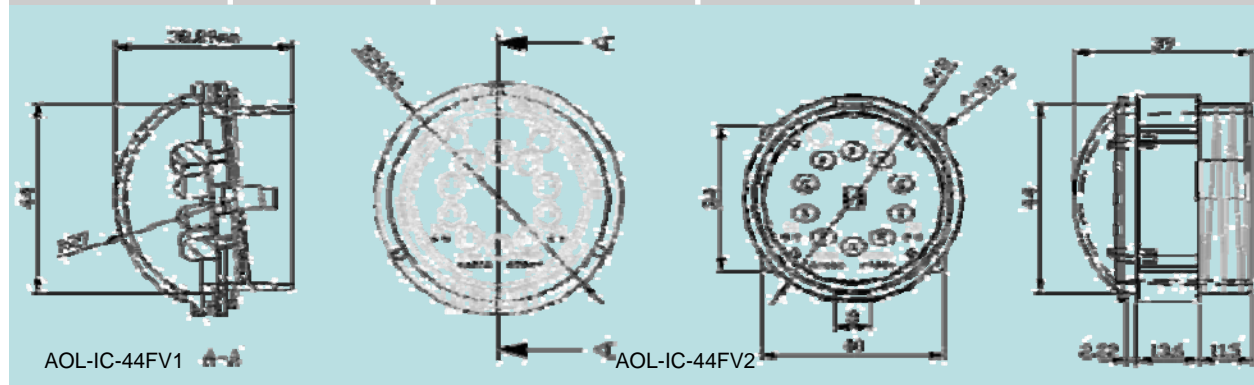
- Architecture luminaries
- Outdoor garden luminaries
- Washing walls
- Long spotting
- Stage lighting



CE FC IP68   1.2m

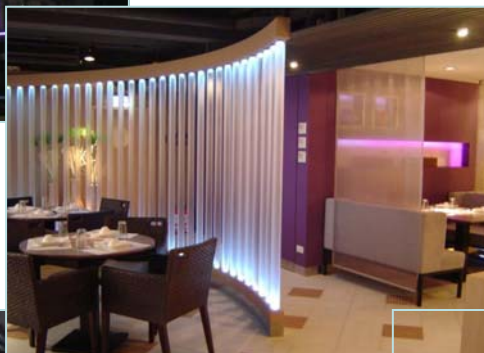


Item	LED	Illumination (30cm)	Controlled	Description
AOL-IC-44FV1	4R-3G-3B	39 lux	IIC	Front of installation
AOL-IC-44FV2	4R-3G-3B	39 lux	IIC	Back of installation



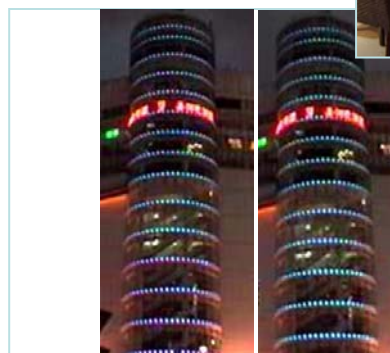
### Features

- Richly color-changing
- IIC controlled
- LED / Nichia
- Easy to install without screws
- Easy to install to any shape
- Waterproof with mechanism
- Low energy consumption / 1 watt
- Input voltage DC 12V
- Current consumption 0.8 mA
- Operating temperature -40°C -65 °C
- Storage temperature -40°C -85 °C



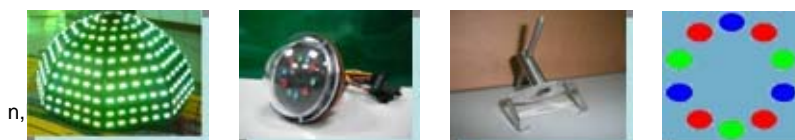
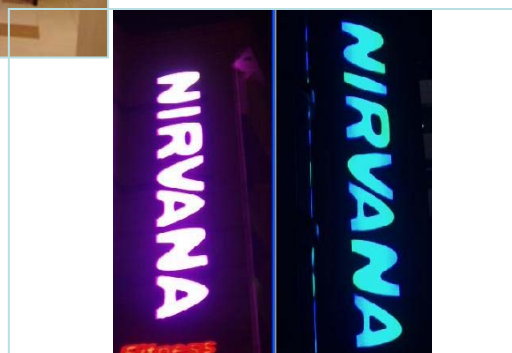
### Notice

- The thickness of punching hole metal board is 1.2mm.
- The minimum distance between cluster to cluster is 65mm.
- The distance between cluster and cluster is be depended on the applications.  
Ex: While a signboard is installed on 50F highness building, the gap of cluster will be fixed for 100mm ~ 150mm, that will suitable.



### Applications

- Interior design
- Sign board
- Channel letter
- Outdoor use
- Building luminaries

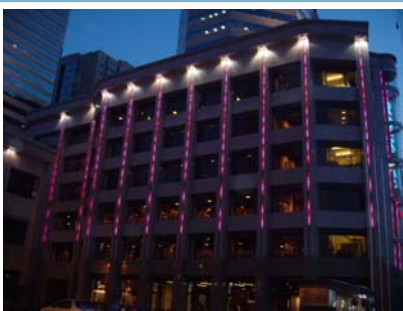
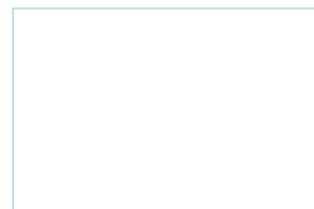
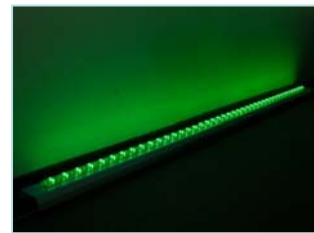
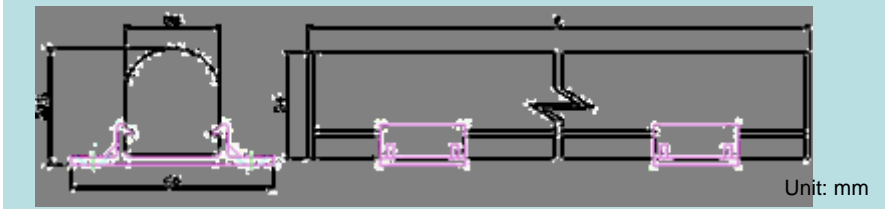


# APEX OPTO CORPORATION

## Full Color Border Light

PROFESSIONAL LED LIGHT & APPLICATION PROVIDER

Item	Power Consumption	Current	Description
AOL-LB-10FD1	6.5 w	0.53A	L: 1 foot (30.5cm)
AOL-LB-30FD1	19.3 w	1.6A	L: 3 feet (91.5cm)
AOL-LB-80FD1	51.4 w	4.24A	L: 8 feet (244cm)

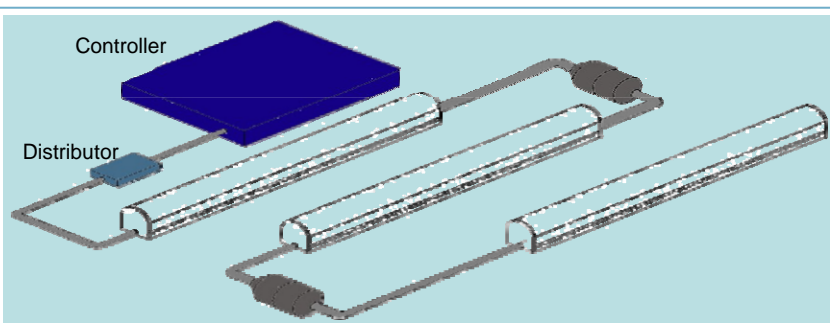


### Features

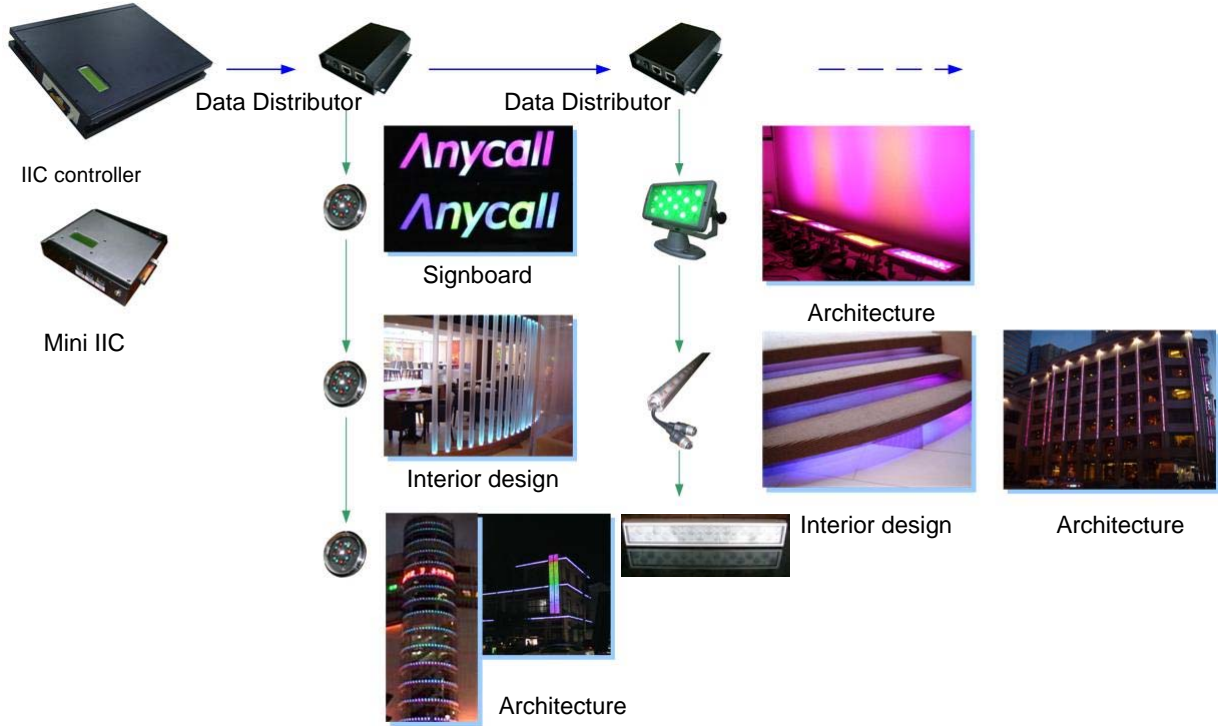
- Richly color-changing
- Easy to install without hand tools
- IIC controlled
- DMX controlled
- Low energy consumption
- Input voltage DC 12V
- Operating temperature -40°C~65 °C
- Storage temperature -40°C~85 °C
- LED / Nichia

### Applications

- Architecture luminaries
- Channel letter
- Back light
- Sign board
- Stage lighting
- Secondary use
- Interior light

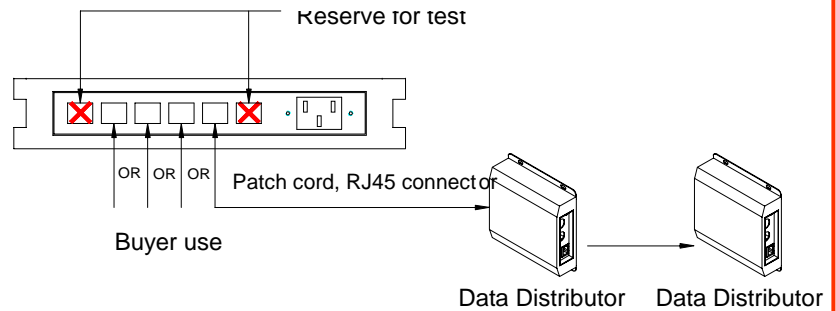


Item	Module Name	Describe	Dimension (cm)
AOL-CI-CO5000V2	IIC controller	10,000 pixels controlled	33x25x4.5
AOL-CI-M2KV1	Mini IIC controller	2,000 pixels controlled	18.9x15.6x4.5
AOL-CI-DI500V3	IIC Data Distributor	Distribute signal to 240pixels	12x11.8x3.5

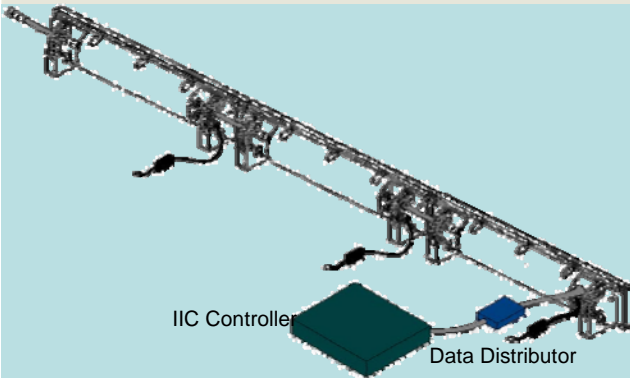
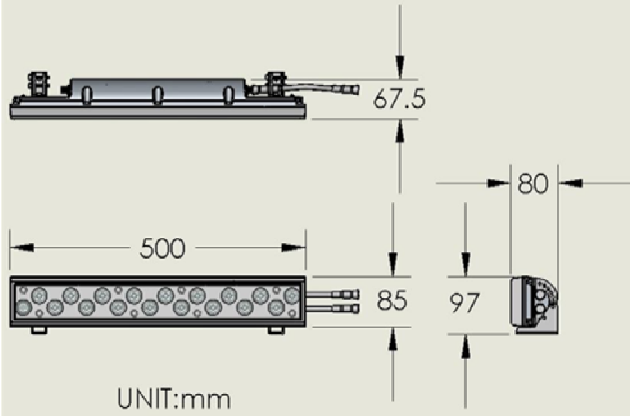


### Features

- Provide for ColorBeacon ,  $\phi$  44Cluste Beacon18 , Full color Borderlight...
- IIC control 10,000 lights  
Mini control 2,000 lights
- Signal transmission distance up to 6C meters
- Scan capability for each color R, G, B, total 1024x1024x1024 colors
- Slot to download program from CF card
- Easy to operate
- A remoter adjust white brightness
- Editing software "Magic\_led" program can edited by FLASH, and transform to "Magic\_led" for export.
- Voltage : AC 110V~220V
- Current : Max. 0.8A/5V
- Operating environment temperature: 0°C ~ 70°C



Item	Angle°	Illumination (5m / White)	Controlled
AOL-LE-DMX10FV1	10°	48.3 lux	DMX
AOL-LE-DMX1530FV1	15° * 30°	31 lux	DMX
AOL-LE-I2C10FV1	10°	48.3 lux	IIC
AOL-LE-I2C1530FV1	15° * 30°	31 lux	IIC



### Features

- Rich color-changing
- Low energy consumption / 28.8 watts
- DMX controlled
- Variety of different view angles
- IP68 environmental construction
- Light can be connected in a linear platform
- 10M long distance connected
- Operating temperature -40°C~65°C(not include adapter)
- Storage temperature -40°C~85°C
- Input voltage DC 24V
- Current consumption 1.2A
- Luxeon high power LED

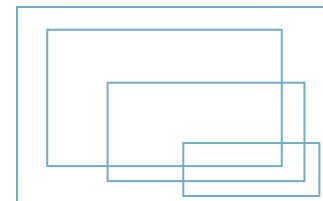
### Applications

- Washing wall
- Landscape luminaries
- Architecture luminaries
- Stage lighting
- Back light



### Supportive

- IIC controller with Data Distributor
- DMX controller with ID Launcher



### Communication

- |                                      |  |
|--------------------------------------|--|
| <input type="checkbox"/> DMX control | <input type="checkbox"/> IIC control                                 |
| Channel 1 Red                        | The maximum number of connections for the Beacon 18 is 10,000 units. |
| Channel 2 Green                      |  |
| Channel 3 Blue                       |  |
| Channel 4 Brightness                 |  |
| Channel 513 Self-test                |  |
- The amount of connections for the Beacon 18 can be adjusted to suit on the DMX controller.

